

DESCRIPTION

The insulated Fire-Rated Security Access Door is constructed of heavy-duty materials to prevent unwanted access through openings in fire-rated walls.

FEATURES

- Fire-Rated
- Self-Closing Door
- Wall Installation Only
- Custom Sizing

SPECIFICATIONS

MODEL: ST/SW/SP

DOOR:

14 Gauge steel outer door
20 Gauge steel inner door

FRAME: 16 Gauge Steel

SIZE:

Min: 6 inches by 6 inches
Max: ST: 24 inches by 72 inches or 48 inches by 48 inches
SW/SP: 36 inches by 48 inches

INSTALLATION: Wall

FLANGE: 1 inch Exposed, Drywall Bead or Plaster Bead

HINGE:

ST: Flush Continuous Piano
SW/SP: Concealed Pin

INSULATION: 2 inch Fire-Rated Mineral Fiber

CERTIFICATION: UL listed "B" label for 1-1/2 hours

FINISH: White Powder Coat

WARRANTY: 1 year

OPTIONS:

Flanges, Latches, Materials, Gaskets, Anchors



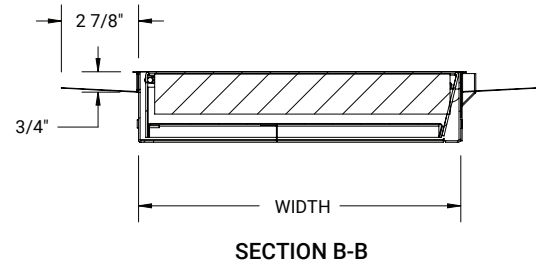
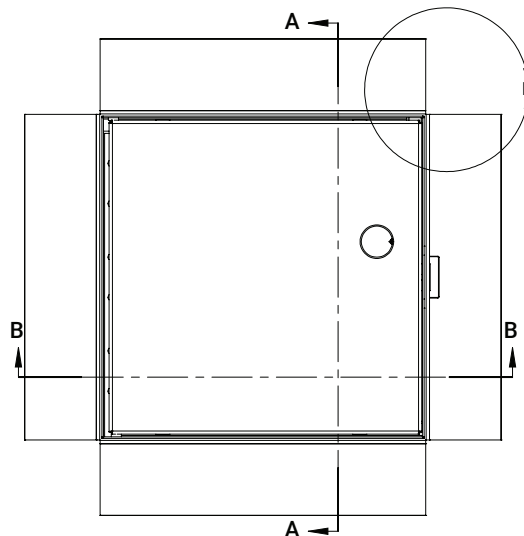
DIMENSIONS AND APPEARANCE

>> CLICK TO VIEW ADDITIONAL DETAILS AND PRICING <<

ORDER GUIDE:

BASE	FLANGE	LATCH	WIDTH	X	LENGTH	OPTIONS
S				X		
	T 1 inch Flange W Drywall Bead P Plaster Bead	D - Detention Lock Prep K - Knurled Latch/Key Operated Latch Bolt M - Mortise Lock (1-1/8") Prep	Standard Sizes (W x L)			B Galvannealed G Gasketing M Masonry Anchors S Stainless Steel, Type 304
			12" x 12"		24" x 24"	
			16" x 16"		24" x 36"	
			18" x 18"		24" x 40"	
			22" x 30"		24" x 48"	

Rough opening is door size + 1/4 inch minimum. Additional sizes available, call for more information.



FOR DETAILED SPECIFICATIONS SEE SUBMITTAL SHEET

For a complete list of options visit www.AccessDoorsAndPanels.com

PROJECT DATA

Custom Sizes Available - Fast!

PROJECT NAME :	QTY	W	H	OPTIONS
ARCHITECT :				
DEALER :				
CONTRACTOR :				
LOCATION :	SPECIAL INSTRUCTIONS :			
DATE :	SUBMITTAL APPROVAL : (signature or stamp)			
TAGGING INSTRUCTIONS :				

Scan or Click



To view Pricing and Additional Product Info.

TELEPHONE:
1-888-457-1275
FAX:
1-888-626-2907



PO BOX 66738 #76520,
SAINT LOUIS, MO
63166-6738
USA

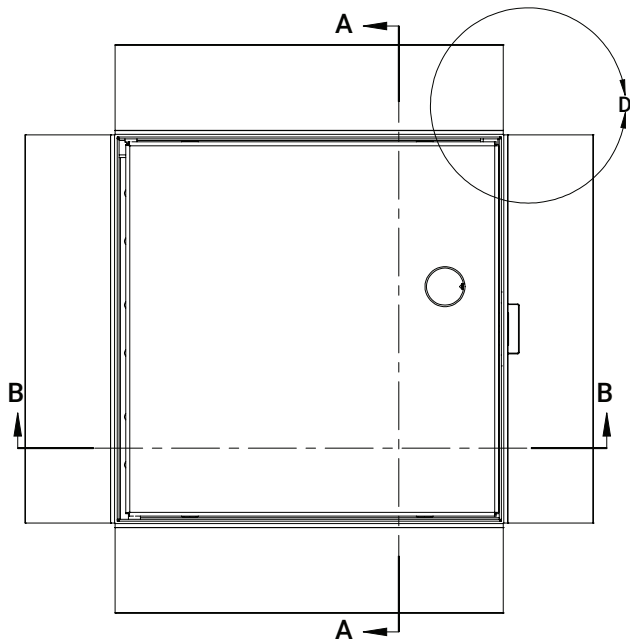


WEBSITE:
www.AccessDoorsAndPanels.com
E-MAIL:
info@AccessDoorsAndPanels.com



N SP

FIRE-RATED SECURITY ACCESS DOOR

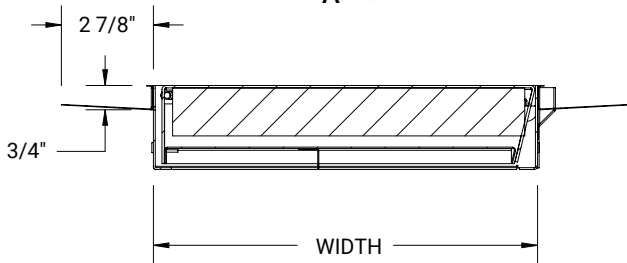


NOTES:

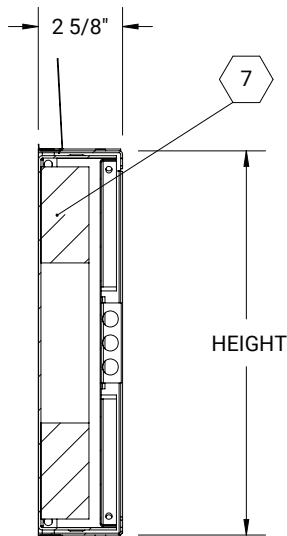
- ① FRAME:
- ② DOOR: Cold Rolled Steel, 14 GA Outer, 20 GA Inner
- ③ FINISH: White Powder Coat
- ④ HINGE:
- ⑤ SECONDARY LATCH: Varies
- ⑥ LOCK: Mortise Prep
- ⑦ INSULATION: 2" Thick Fire Rated Mineral Wool, 8 R-Value

OPTIONS:

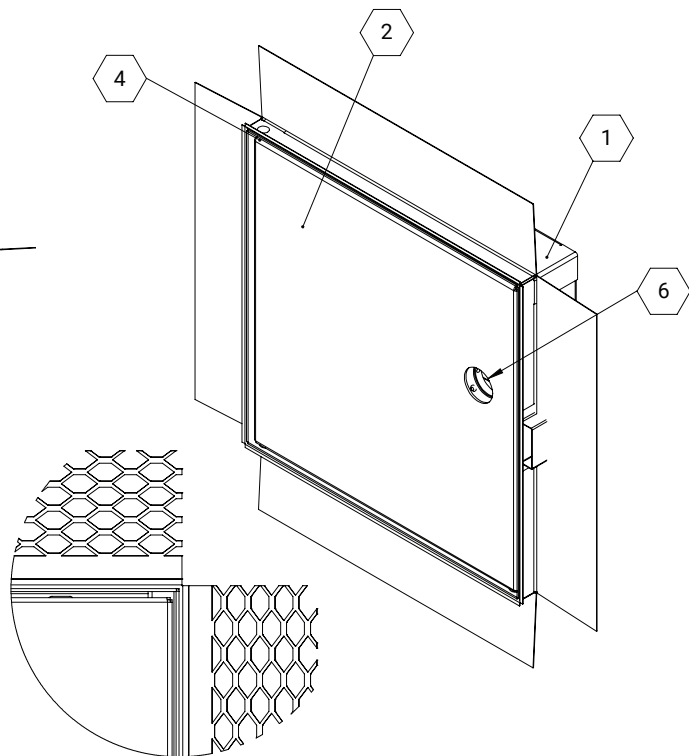
- Gasket Installed (G)
- Masonry Installed (M)



SECTION B-B



SECTION A-A



DETAIL D
PLASTER BEAD DETAIL
SCALE 1 : 4

VERTICAL
1-1/2 HOUR "B" LABEL



ROUGH OPENING: W + 0.25" x H + 0.25"
ROUGH OPENING: W - 3.25" x H - 1.125"
DEGREE OF OPENING: 120°



N SP

FIRE-RATED SECURITY ACCESS DOOR

